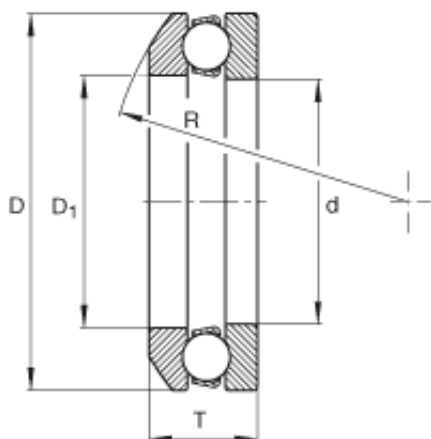




L S Starrett BEARING COMPANY

4100 UF x 400v B43586-S9418-Q1 inverter parts capacitors new and original



Bearing No. 4100

Size	10x25x14 mm
Bore Diameter	10 mm
Outer Diameter	25 mm
Width	14 mm
d	0,394 inch
d	10 mm
D	0,984 inch
D	25 mm
T	0,556 inch
T	14 mm
D ₁	0,472 inch
R	25 mm
m	0,079 lbs / Weight
m	0,036 kg / Weight
C _a	2650 lbf / Dynamic load rating (axial)
C _a	11800 N / Dynamic load rating (axial)
C _{0a}	3390 lbf / Static load rating (axial)
C _{0a}	15100 N / Static load rating (axial)

4100 Bearing 2D drawings and 3D CAD models